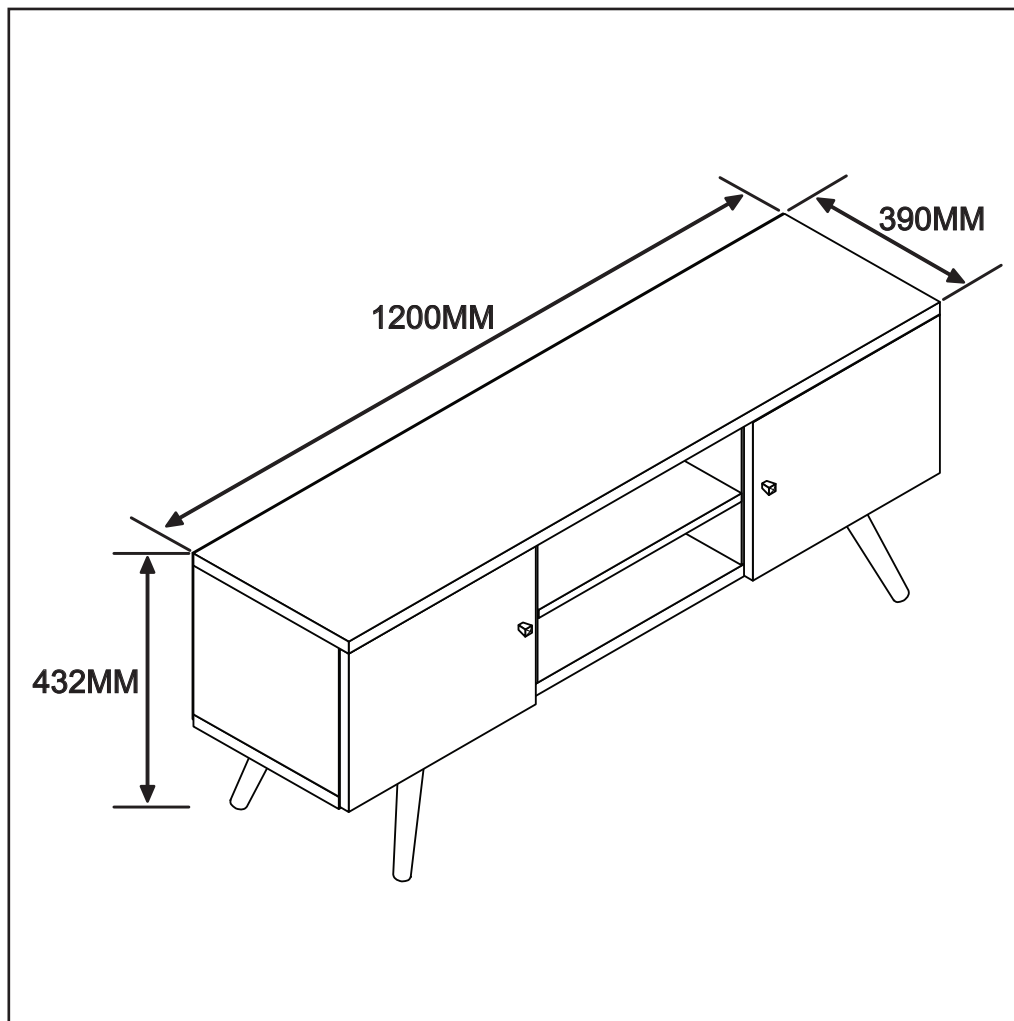




ASSEMBLY INSTRUCTION  
ANNEKA 2 DOOR ENTERTAINMENT UNIT  
ITEM CODE 54582

Imported by Amart Furniture Pty Ltd, Qld, Brisbane Australia.  
For any assistance with assembly or for missing parts please phone  
Amart Furniture, Customer Service Free call 1800 351 084

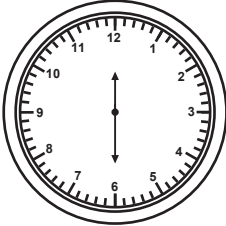
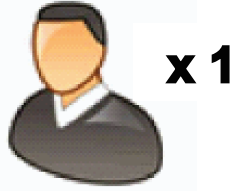
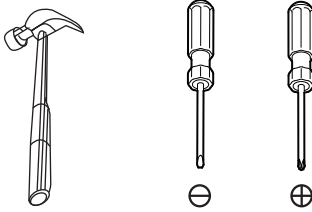


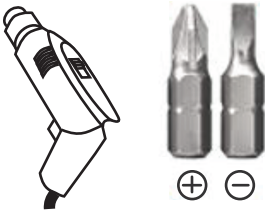
Imported by Amart Furniture Pty Ltd, Qld, Brisbane Australia.  
For any assistance with assembly or for missing parts please phone  
Amart Furniture, Customer Service Free call 1800 351 084

# PRE-ASSEMBLY PREPARATION

## Before you start:

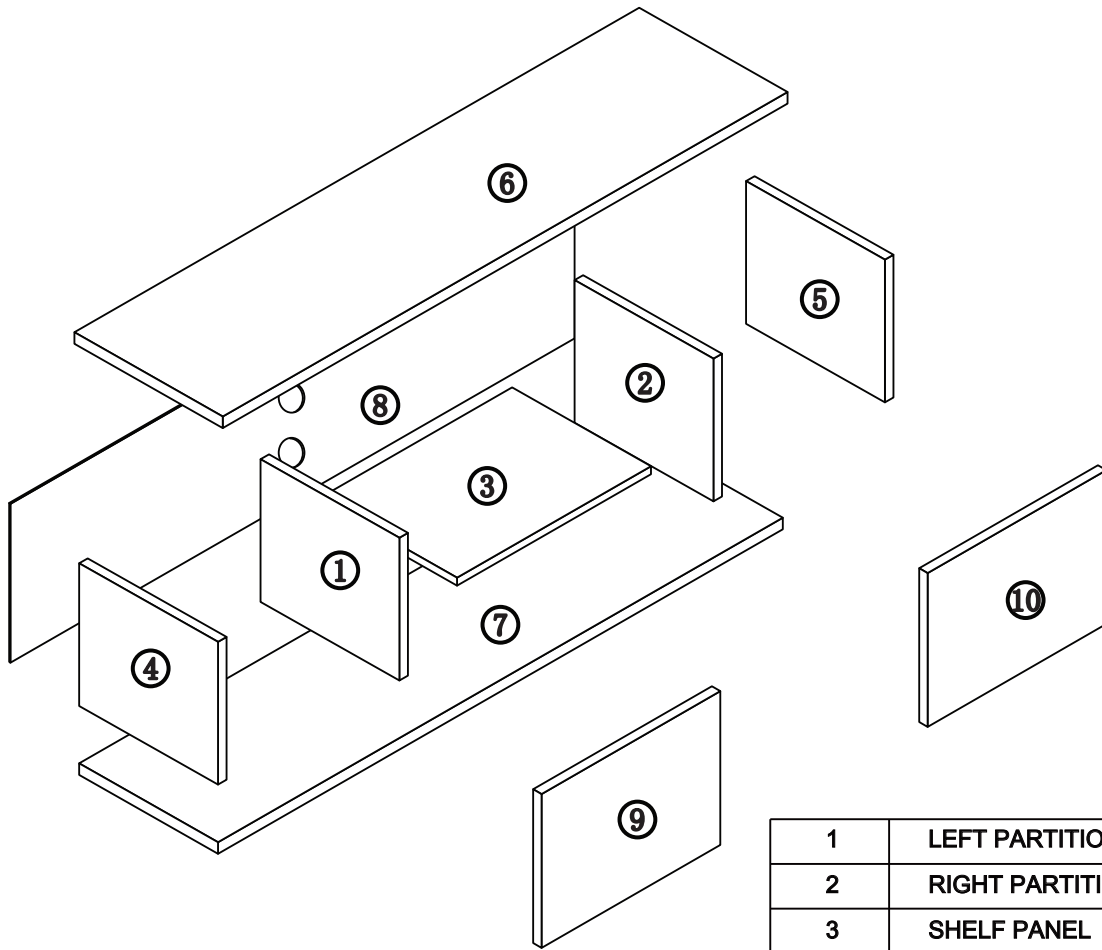
1. Choose a clean, level, spacious assembly area. Avoid hard surfaces that may damage the product
2. Take care when lifting. Product should be assembled as near as possible to the point of use
3. Ensure that you have all required contents for complete assembly
4. Always read the assembly instructions carefully before beginning assembly
5. Keep all hardware parts and packaging out of reach of small children.
6. Do not over tighten the screws and bolts as this may damage the threads

	
<b>ALLOW 60 MINUTES</b>	<b>PEOPLE REQUIRED</b>
	
<b>TOOLS REQUIRED</b>	




	<p>We recommend using a screwdriver to put this item together. However if you choose to use a power drill it must be used on <b>LOW SPEED (LOW TORQUE)</b> as too much pressure could damage the product</p>
---	--






<b>! TIPPING WARNING !</b>	
	<p>Serious or fatal injuries may occur from furniture toppling over. To help avoid this please follow the below recommendations:</p> <ul style="list-style-type: none"><li>• Install the provided "Tipping Kit" as per the instructions</li><li>• Never allow children to climb on or hang off of any part of this product</li><li>• Unless specifically designed to accommodate, do not set TVs or other heavy objects on top of this product</li></ul> <p>If this product has drawers:</p> <ul style="list-style-type: none"><li>• Place the heaviest items in lowest drawers</li><li>• Do not open more than 1 drawer at a time as this may cause the product to become unbalanced</li><li>• Do not tamper with or remove any drawer interlocking/running system</li></ul> <p><b>Note: The use of the provided "Tipping Kit" may reduce but not necessarily eliminate the risk of furniture toppling over. Please use this product with caution.</b></p> <p><i>This is a permanent label. Do not attempt to remove!</i></p>





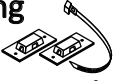

# EXPLODED EXAMPLE



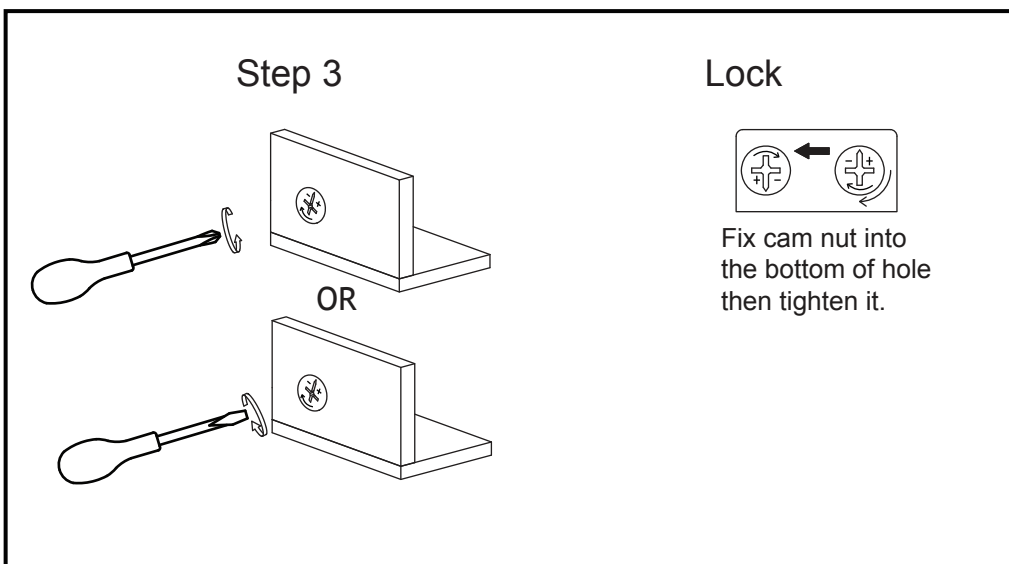
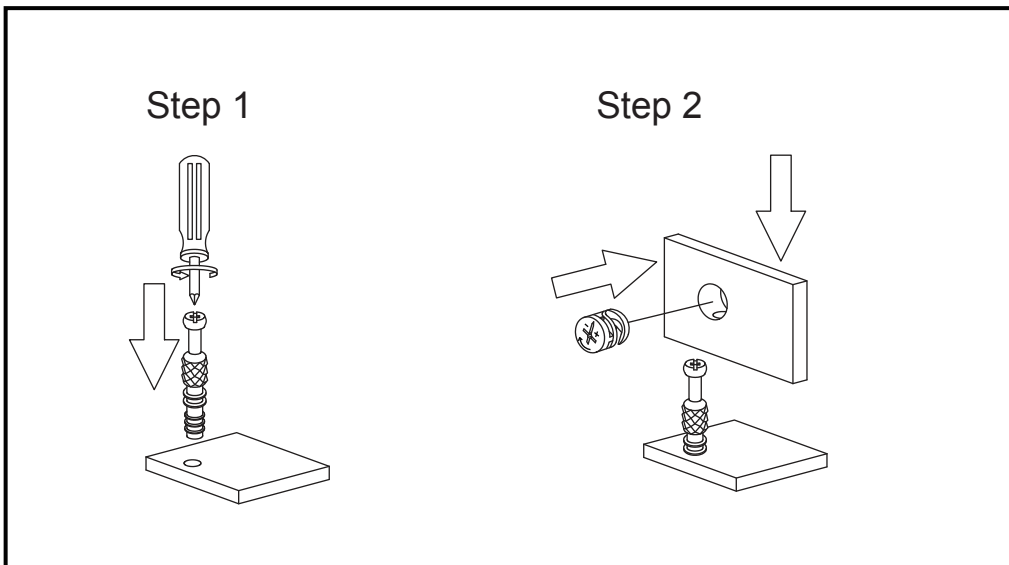
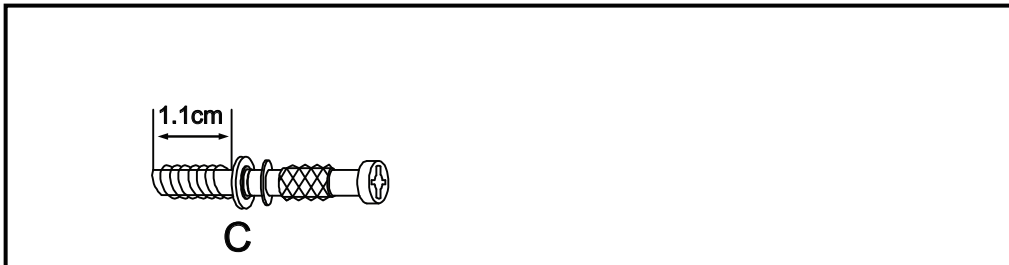
1	LEFT PARTITION PANEL
2	RIGHT PARTITION PANEL
3	SHELF PANEL
4	LEFT SIDE PANEL
5	RIGHT SIDE PANEL
6	TOP PANEL
7	BOTTOM PANEL
8	BACK PANEL
9	LEFT DOOR PANEL
10	RIGHT DOOR PANEL

<b>A</b> <input type="checkbox"/> cam lock  M15x12mm Ax8	<b>B</b> <input type="checkbox"/> cam pin  M7x39mm Bx8	<b>C</b> <input type="checkbox"/> dowel  M8x30mm Cx20
--	--	---

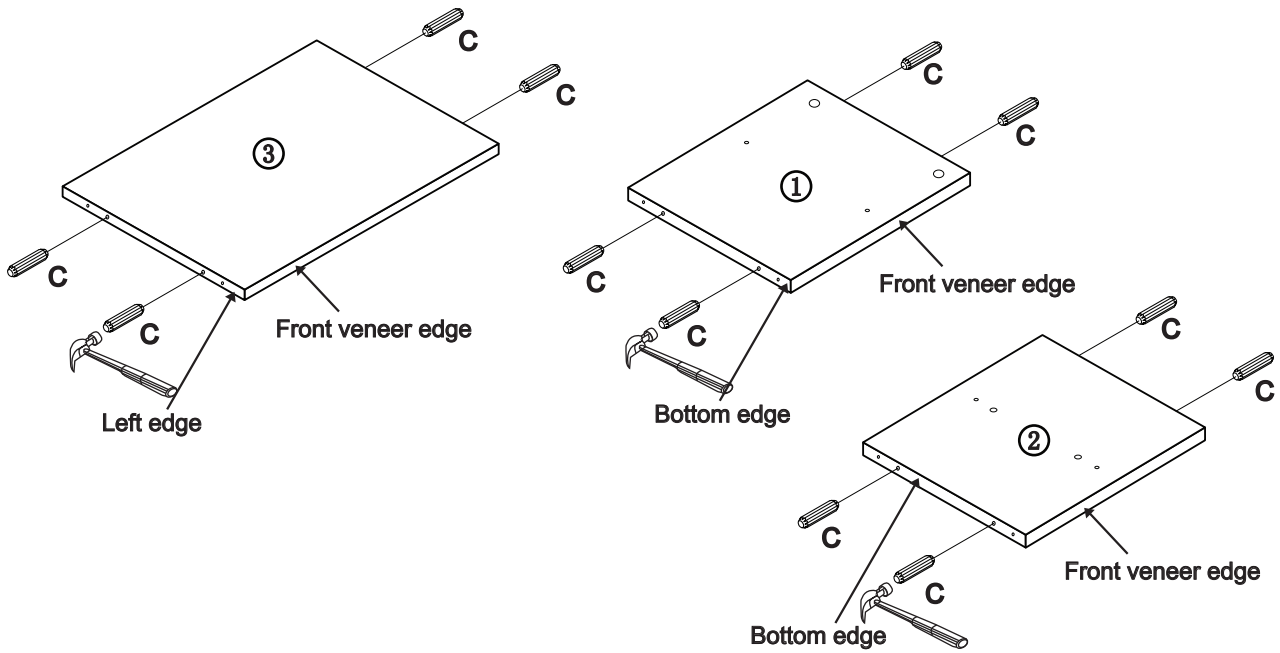
<b>D</b> <input type="checkbox"/> handle  Dx2	<b>E</b> <input type="checkbox"/> hinge  Ex4	<b>F</b> <input type="checkbox"/> leg  M34x160mm Fx4	<b>G</b> <input type="checkbox"/> metal plate for leg  Gx4	<b>H</b> <input type="checkbox"/> screw  M5x40mm Hx12
--	---	--	---	---

<b>I</b> <input type="checkbox"/> screw  M3.5x14mm Ix16	<b>J</b> <input type="checkbox"/> screw  M4x14mm Jx20	<b>K</b> <input type="checkbox"/> screw  M3x16mm Kx14	<b>L</b> <input type="checkbox"/> screw  M4x19mm Lx2	<b>M</b> <input type="checkbox"/> wall fixing   M4x30mm M3.5x14mm Mx1
---	---	---	--	---

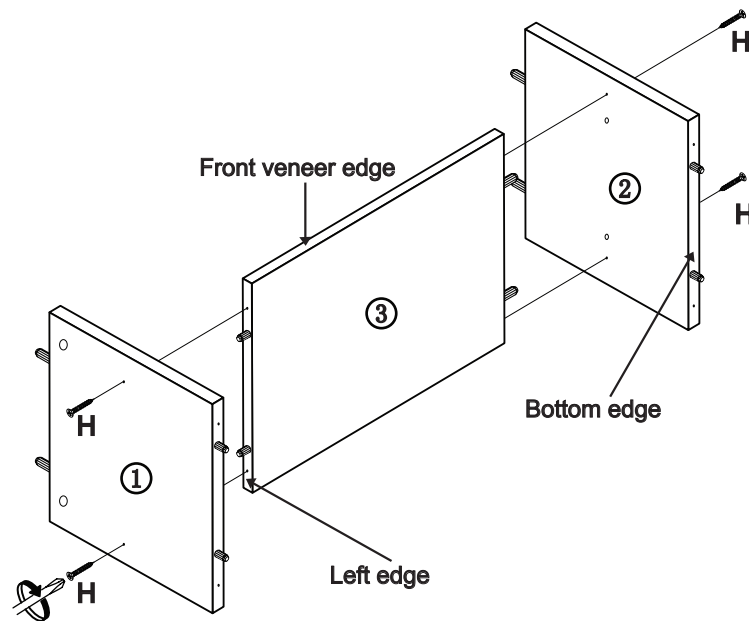
# CAM LOCK INSTALL METHOD AS FOLLOWS



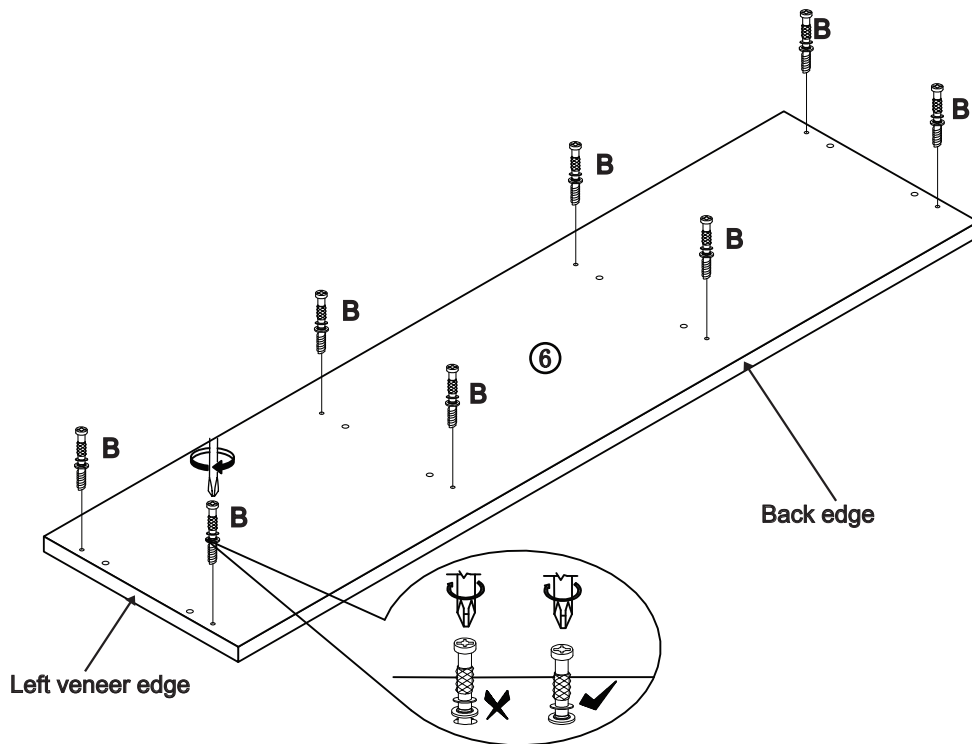
STEP 1: Insert dowel ③ to left partition panel ① ,right partition panel ② and shelf panel ③ .



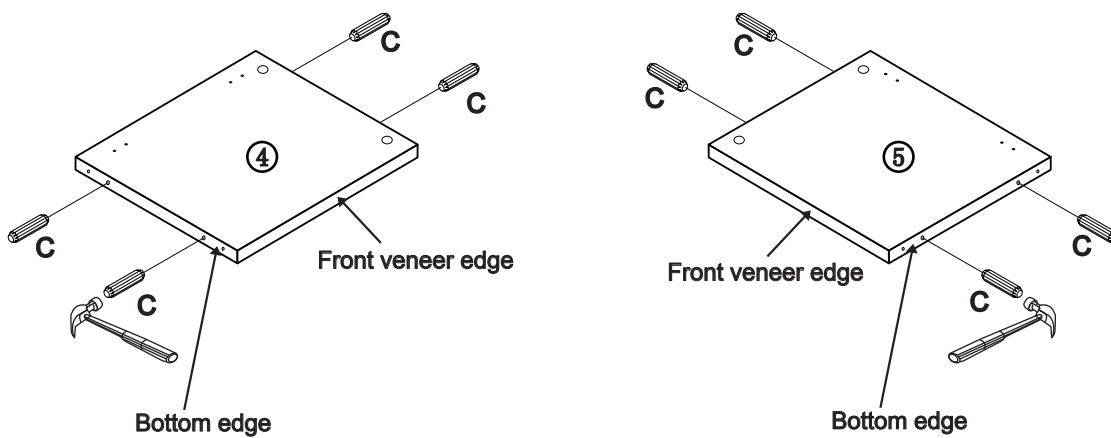
STEP 2: Attach shelf panel ③ to left partition panel ① and right partition panel ② with screws ④.



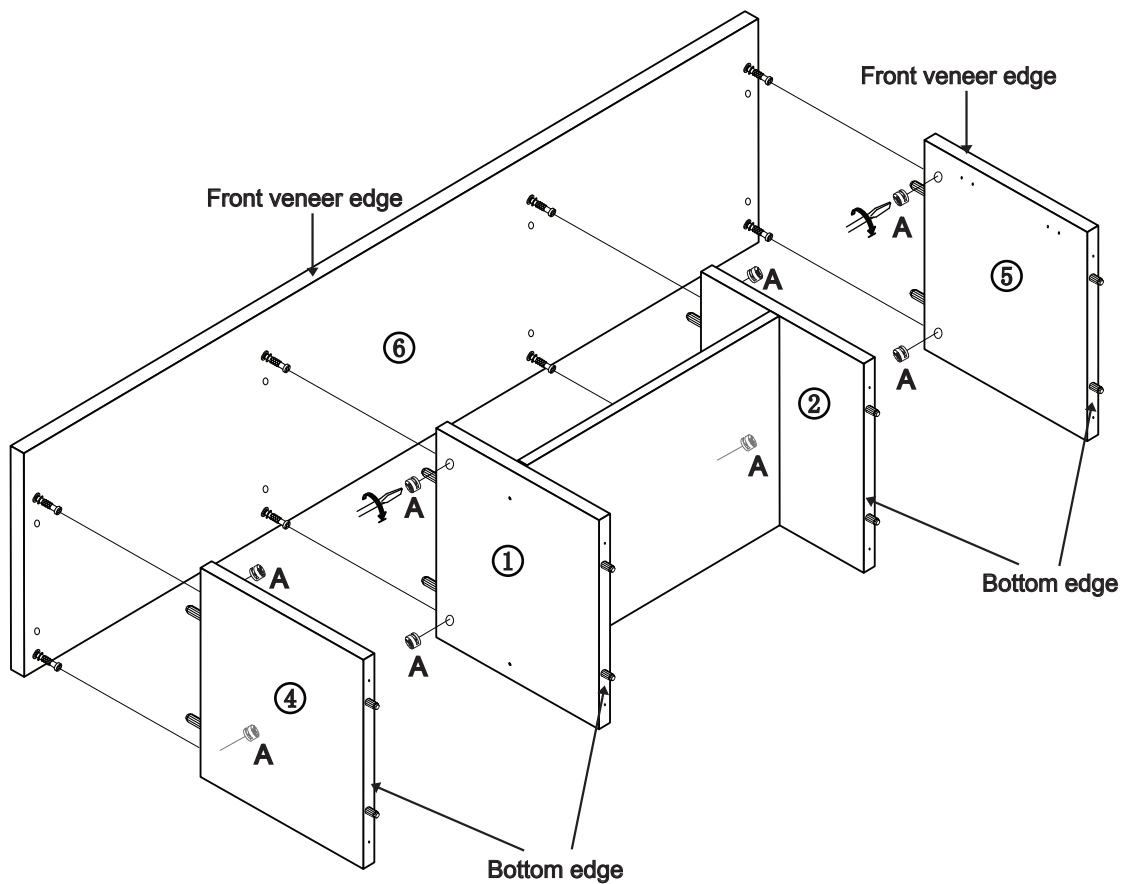
STEP 3: Fix cam pin **Ⓑ** to top panel **Ⓔ**.



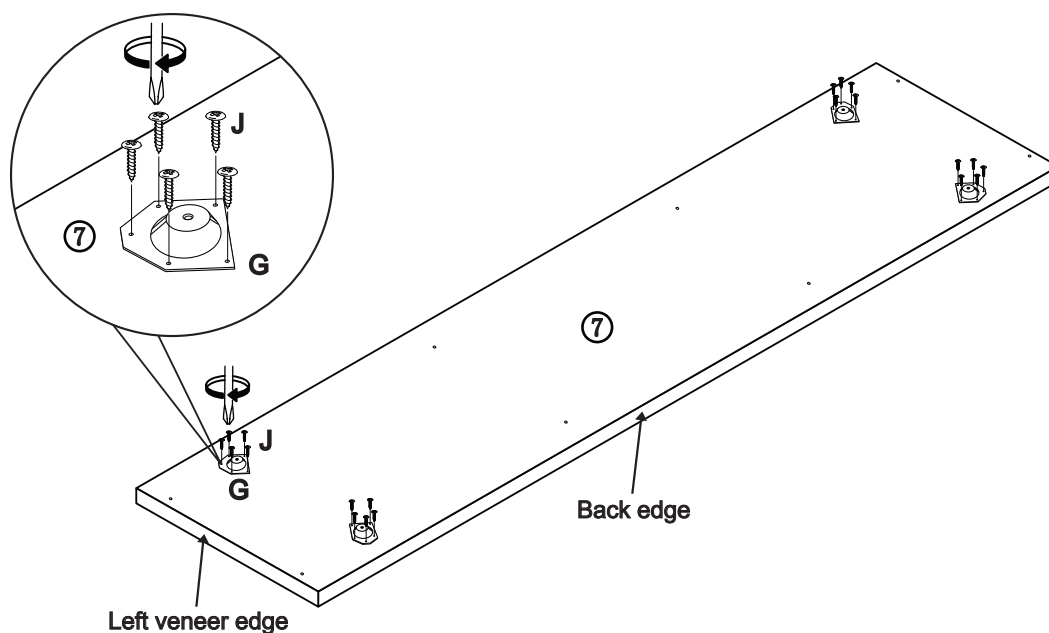
STEP 4: Insert dowel **Ⓒ** to left side panel **Ⓓ** and right side panel **Ⓔ**.



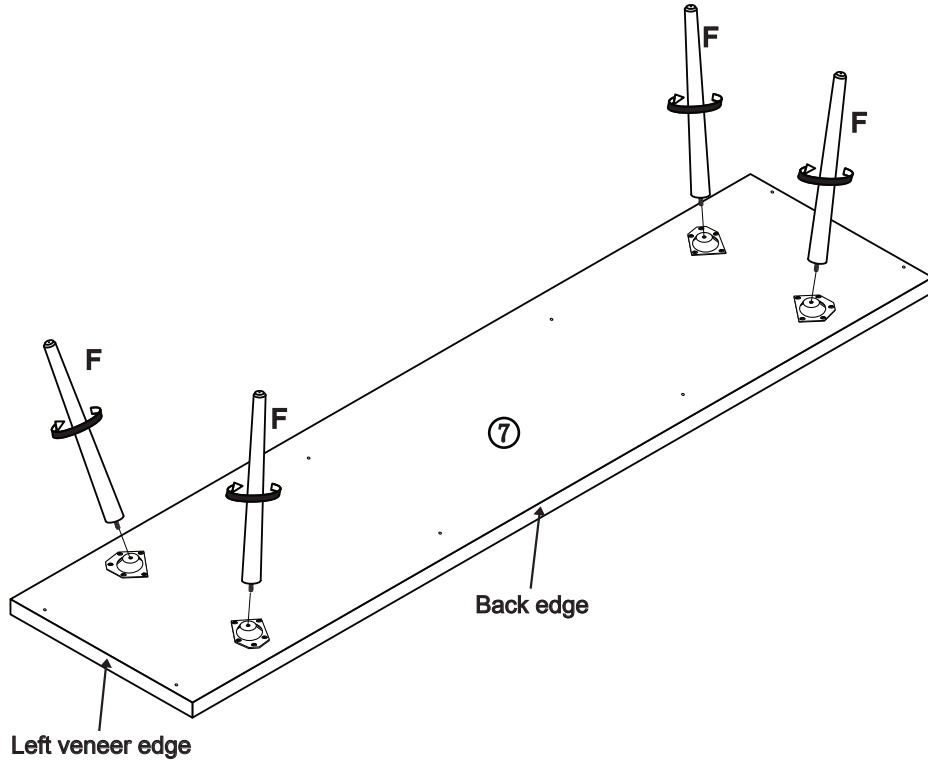
STEP 5: Attach top panel ⑥ to partition panels ①② and side panels ④⑤ with the cam locks ①.



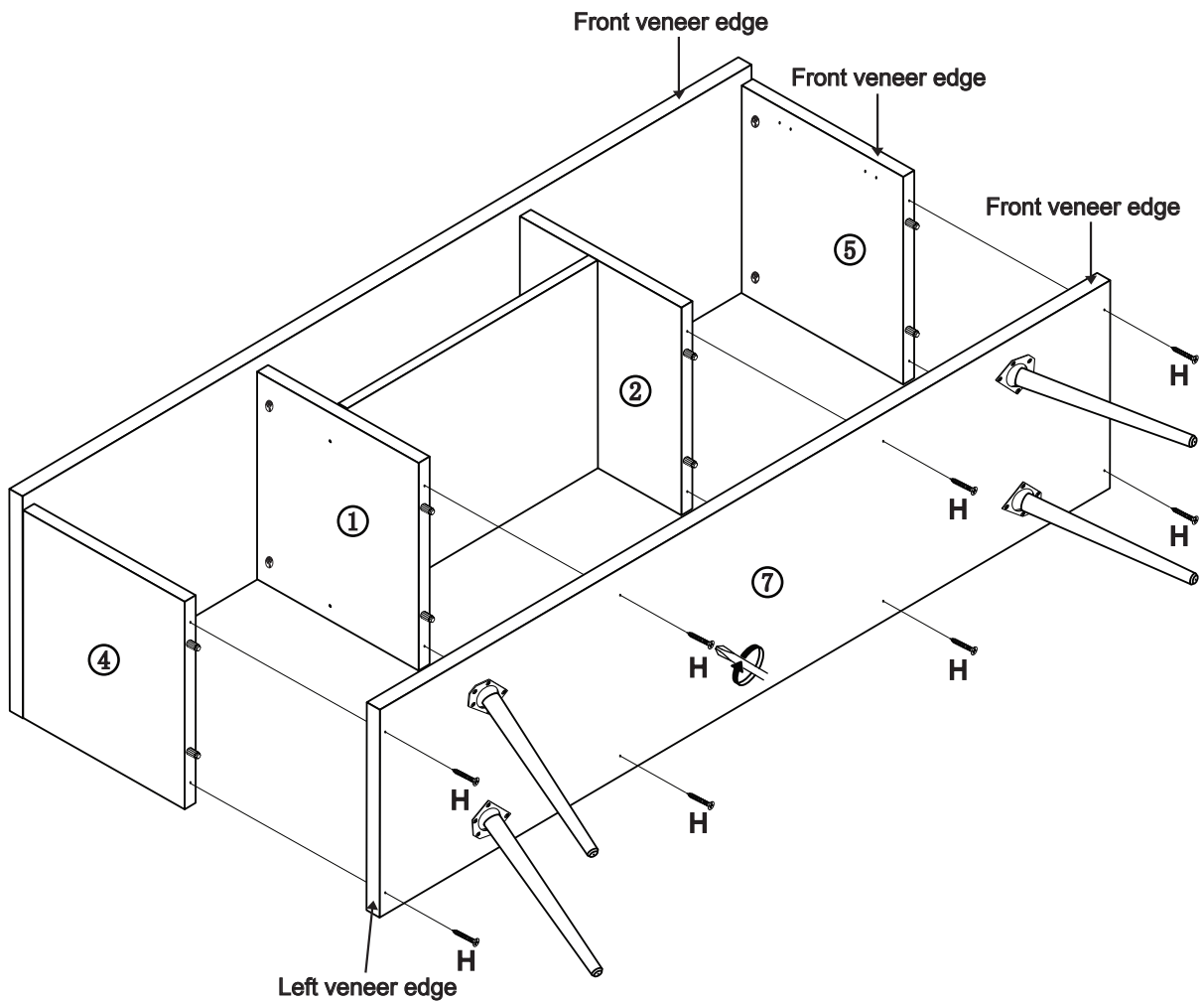
STEP 6: Fix metal plates ⑥ to bottom panel ⑦ with screws ①.



STEP 7: Fix legs ⑥ to the metal plates ⑦ .

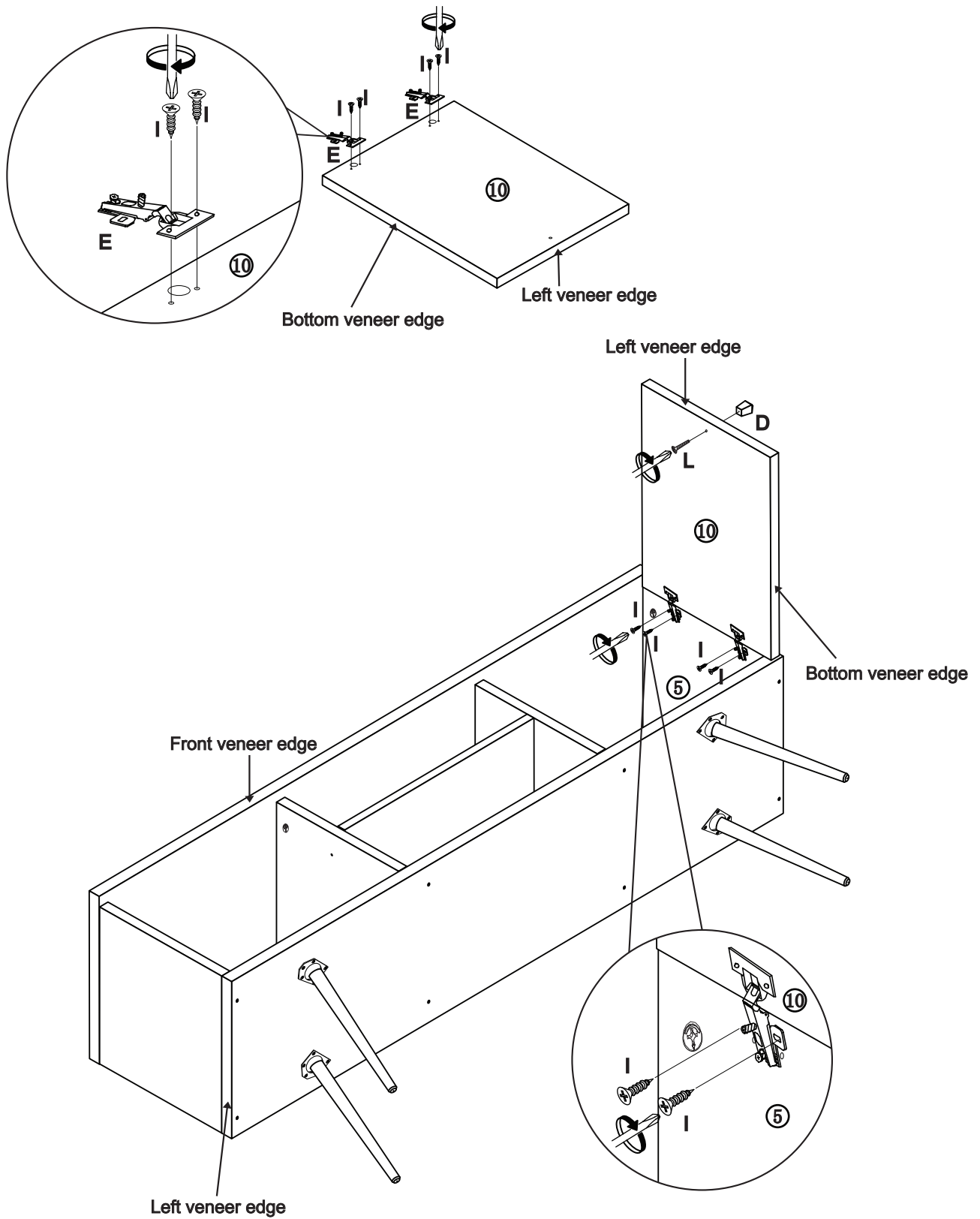


STEP 8: Attach bottom panel ⑦ onto existing unit with screws ⑧ .

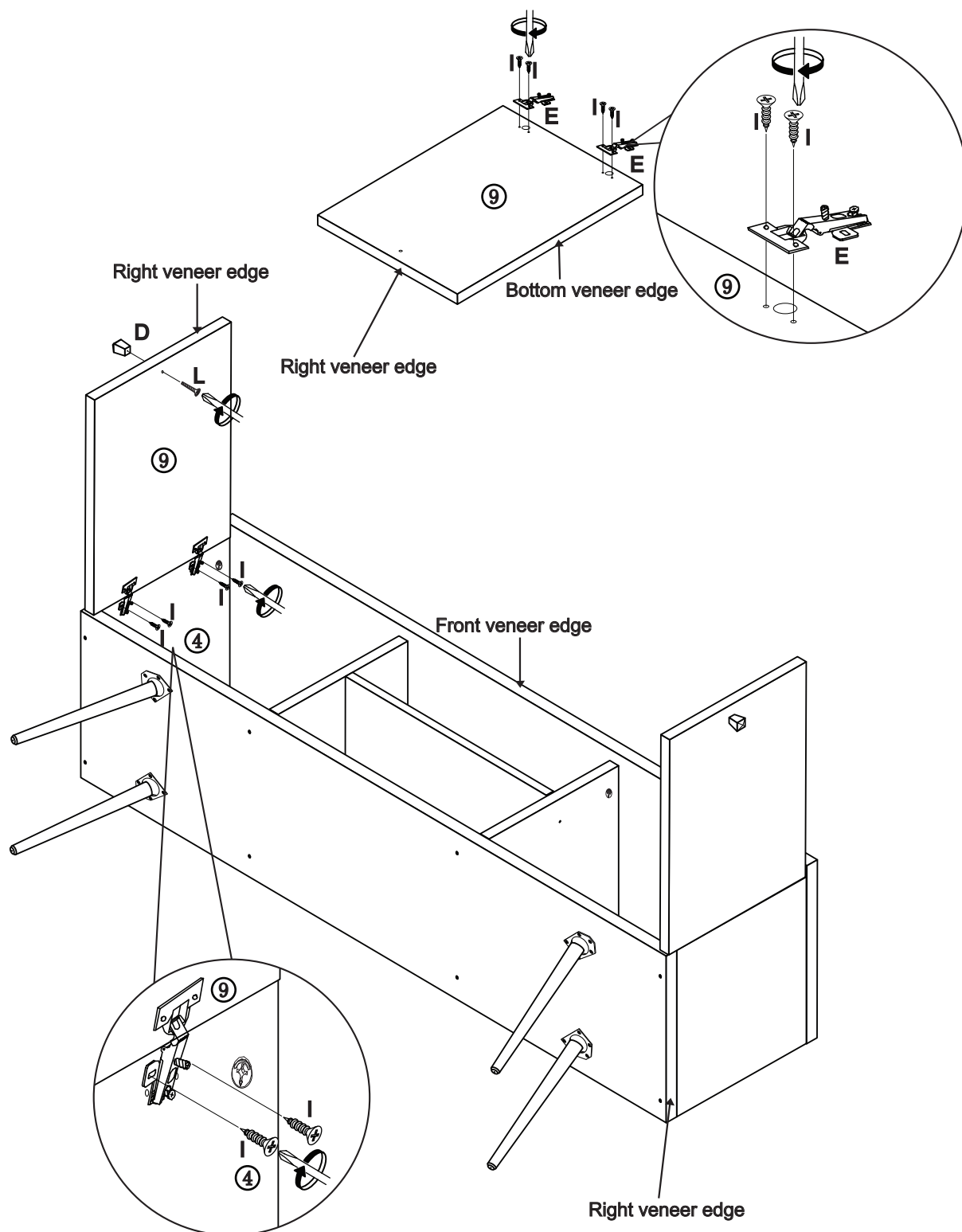




STEP 9: Fix hinges ⑤ to right door panel ⑩ with screws ①. Attach right door panel ⑩ to unit by the hinges ⑤ with screws ①. Fix handles ④ to right door panel ⑩ with screw ②.



STEP 10: Fix hinges ⑤ to right door panel ⑨ with screws ①. Attach right door panel ⑨ to unit by the hinges ⑤ with screws ①. Fix handles ④ to right door panel ⑨ with screw ②.



**If there is a problem with the door assembly , please refer to below important note.**

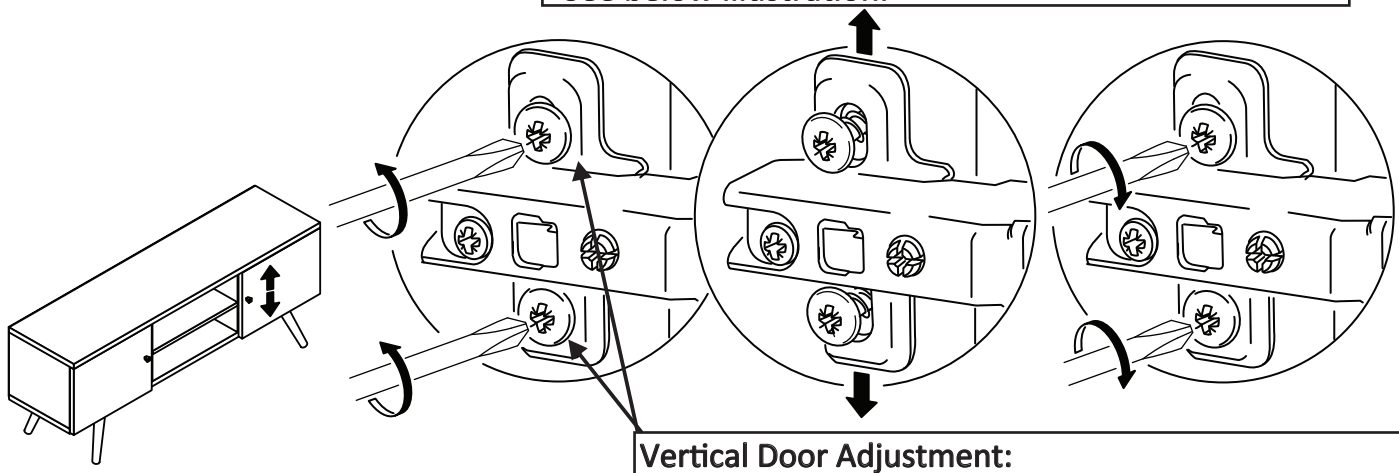


**Important Note:**

Customer Attention:

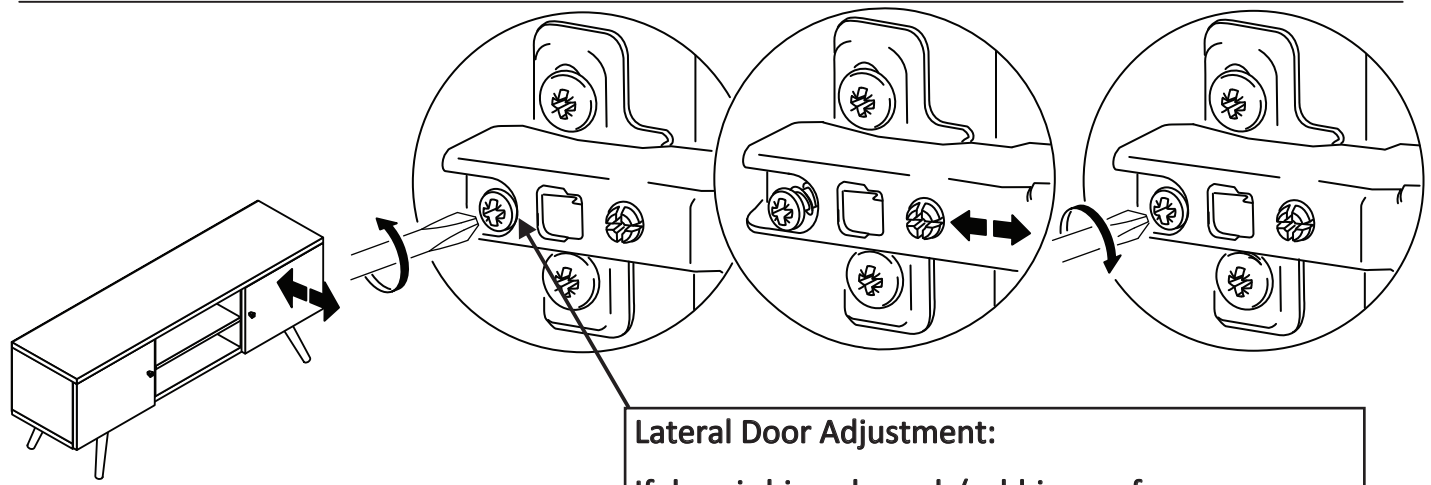
To Align Doors & Control Gap In Between Doors.

Product doors may need adjusting during & after assembly or once product contains items. This can be done by adjusting appropriate screws. See below illustration.



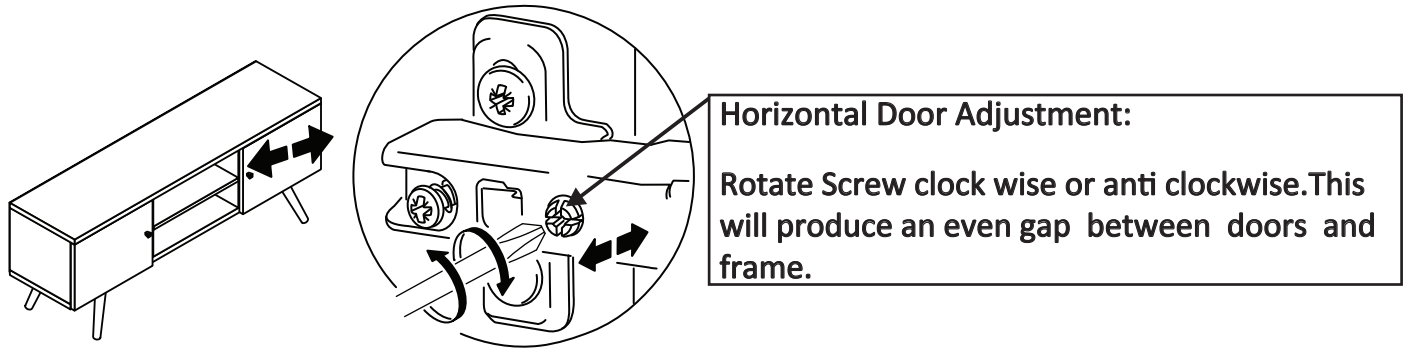
**Vertical Door Adjustment:**

Loosening both screws on all hinges and lift the door to desired height. This allows an even space at the top and bottom between door and product frame.



**Lateral Door Adjustment:**

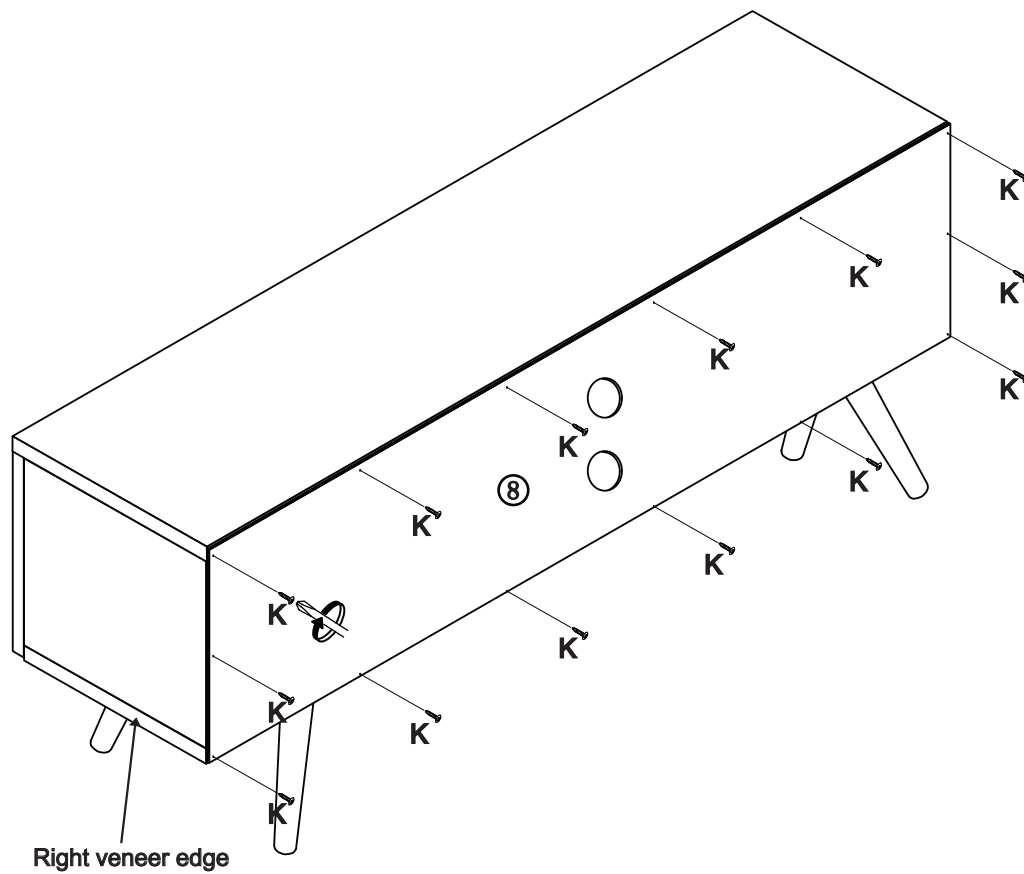
If door is hinge bound, (rubbing on frame as you close or open door) loosening screw shown and move the door in appropriate direction. (In or out)



**Horizontal Door Adjustment:**

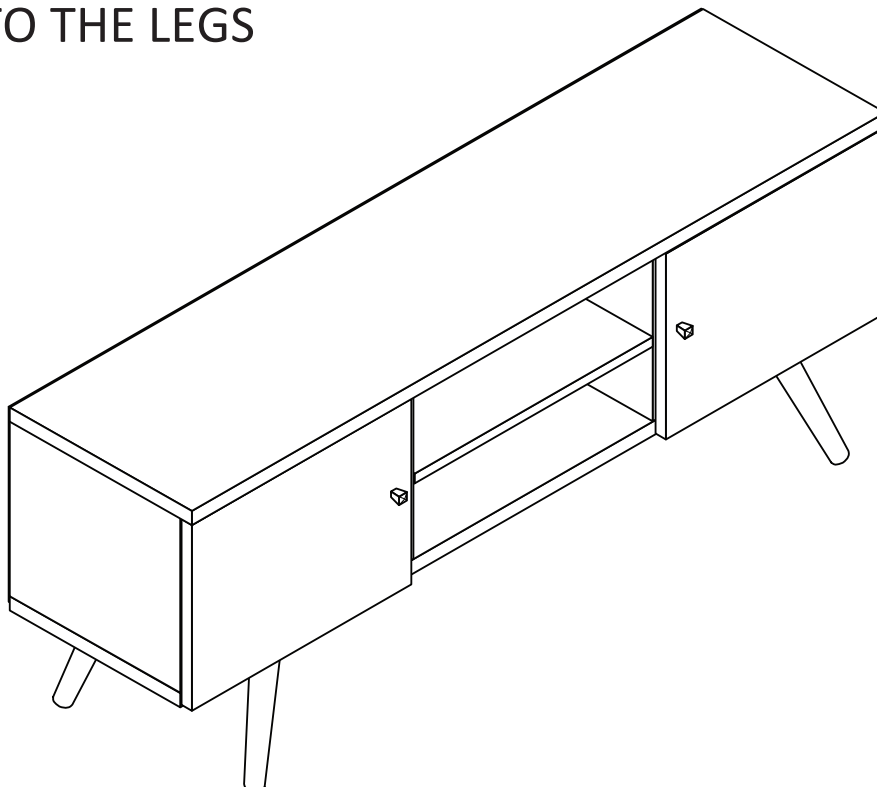
Rotate Screw clock wise or anti clockwise. This will produce an even gap between doors and frame.

STEP 12: Fix the back panel ⑧ to body with screws ⑫.



ASSEMBLY COMPLETE

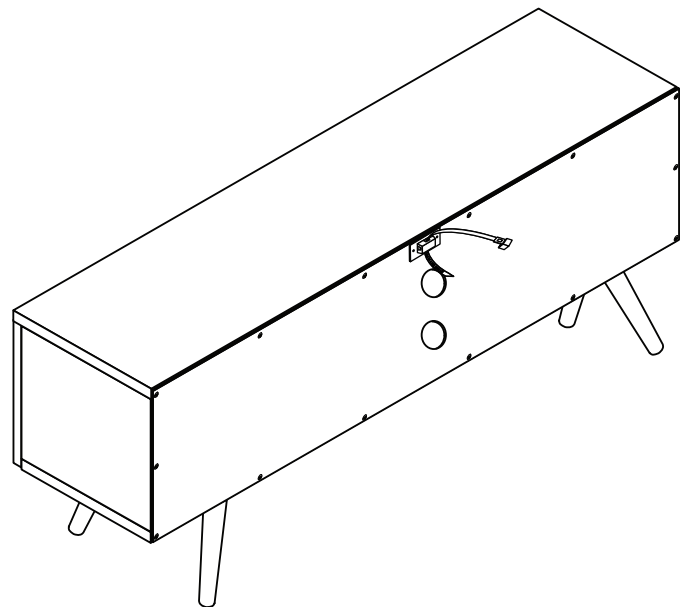
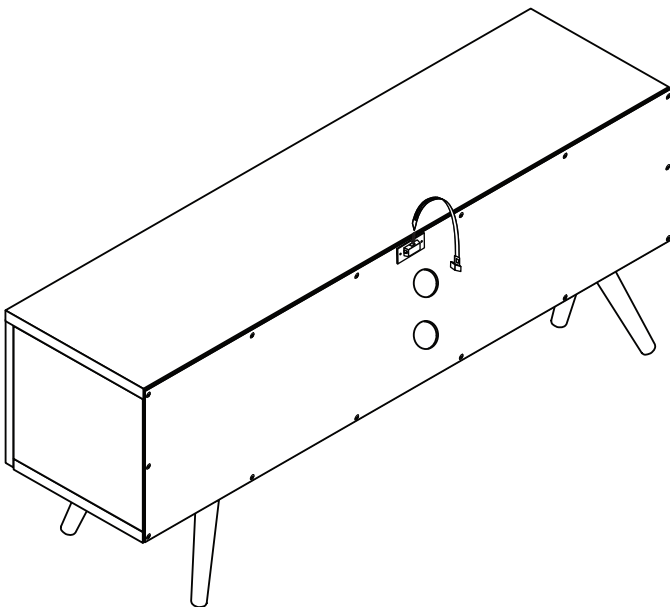
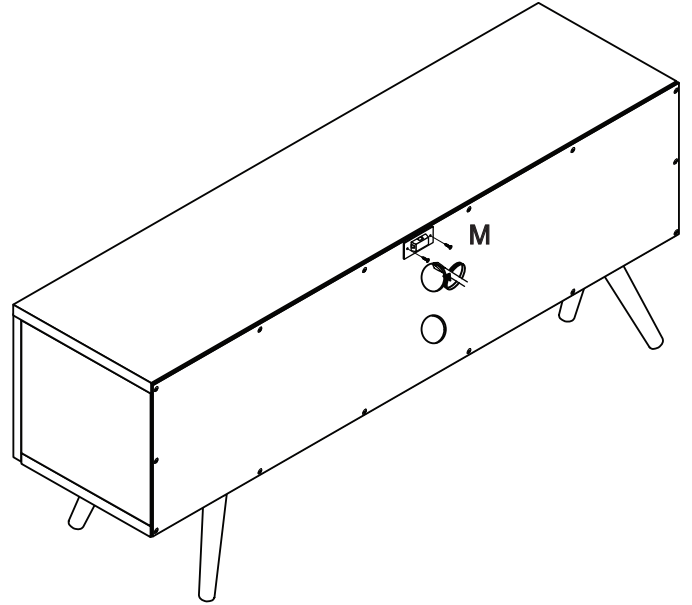
DO NOT PUSH OR DRAG THIS FURNITURE – IT WILL CAUSE  
DAMAGE TO THE LEGS



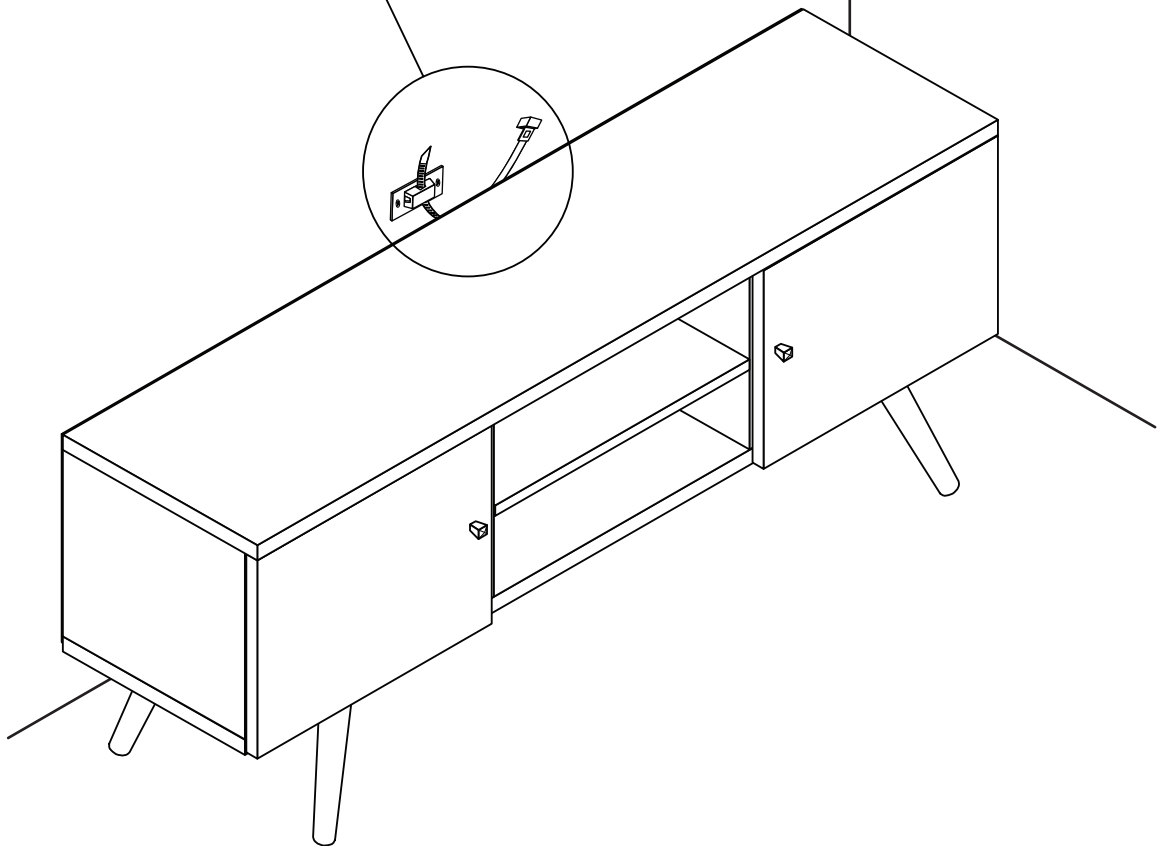
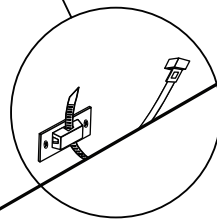
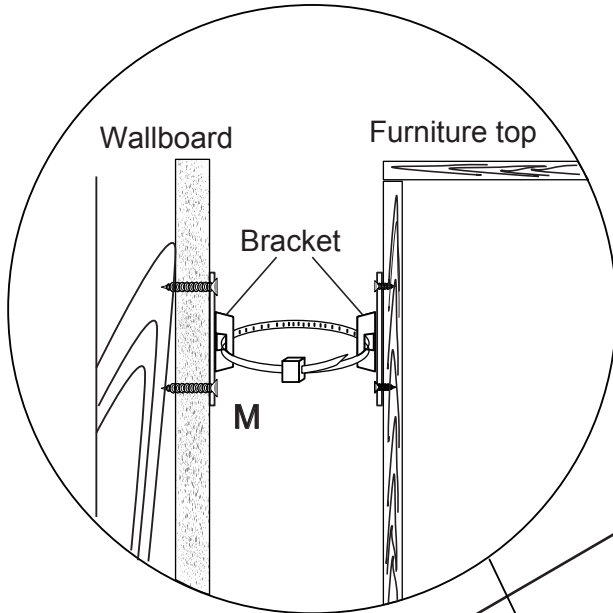
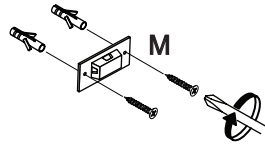


**STEP 1:** Fix bracket to back panel using screws M3.5\*14MM .  
Put plastic string into bracket.

**NOTE** - This product must be fixed to a wall.  
Please ensure the correct wall fixings are used.  
Failure to do so may result in personal injury or  
cause property damage if the product topples  
over. Please note that the screws are only  
suitable for plasterboard wall materials, please  
contact local hardware store for corresponding  
screws for other wall materials.



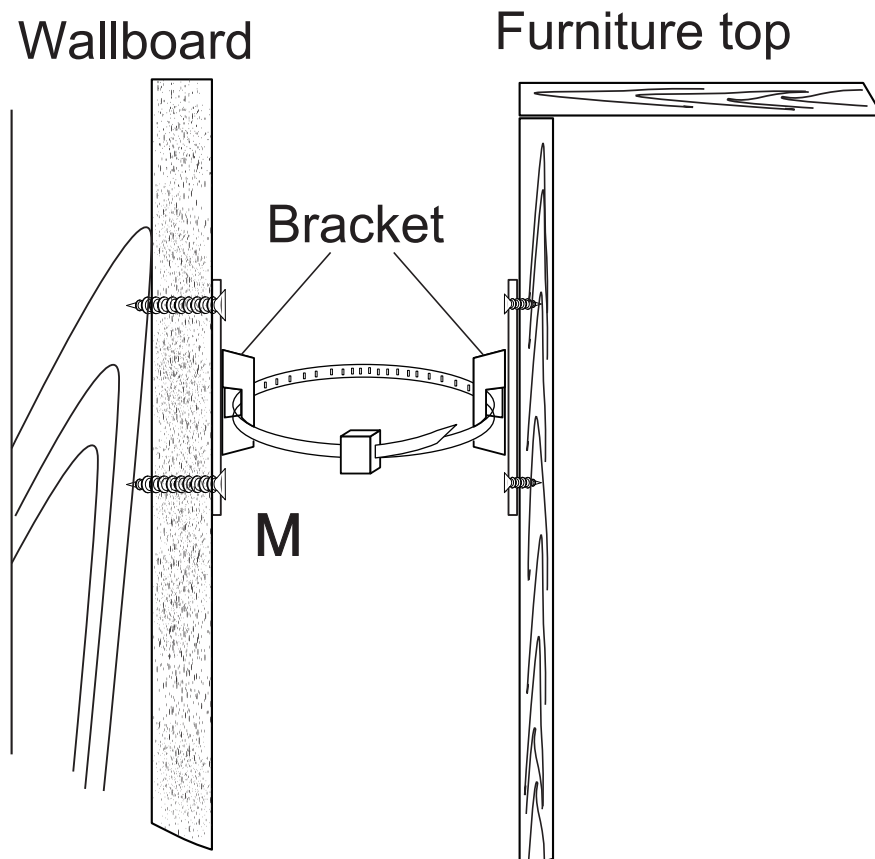
STEP 2: Fix bracket onto the wall using screws M4\*30MM.  
Join wallboard and the furniture with plastic sting.





## SAFETY BRACKETS INSTRUCTIONS

1. Attach a bracket to the wallboard with the long screws provided.
2. Attach a bracket to the furniture frame under the top with the short screws provided.
3. Move the furniture into its final position. Thread a strap through the bracket as shown in the illustration, tighten strap until snug. Do not over tighten.
4. Make sure the bracket is firmly attached to the wallboard and furniture, and the strap is snug.



## **PRODUCT CARE:**

To protect your furniture, we suggest the following:

\*Avoid placing your furniture in direct sunlight.

\*Do not place furniture directly under windows.

\*Do not place sharp materials(knife, fork, etc) directly onto your furniture as sharp material may scrape and damage the finish.

Do not place material with high temperature directly onto the surface of your furniture.

\*Protective padding is strongly recommended when using your furniture .

\*Clean up spills quickly. Water left over a prolonged period of time may cause damage. Alcohol, perfume, nail polishes, aftershave and some medication may cause severe finish damage if not cleaned immediately.

\*Use a clean, soft, dry, lint free absorbant cloth to clean your furniture. Do not use any detergent as they may contain ingredients that may react and damage the finish.

NOTE: If the above care advise is not adhered to your product warranty may become void.